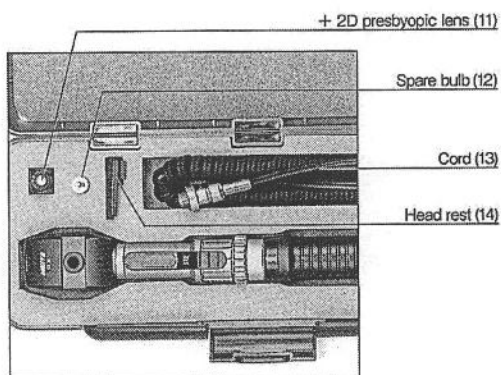
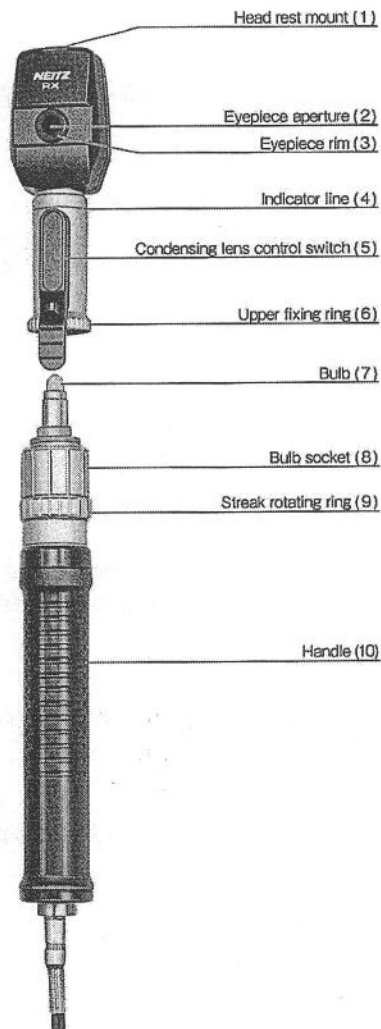
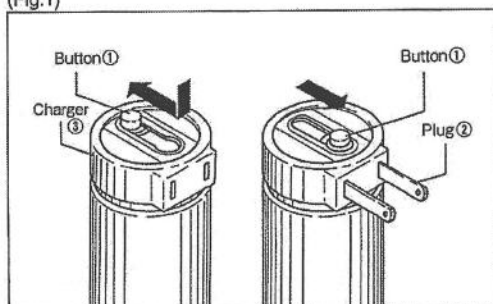


NEITZ STREAK RETINOSCOPE RX

INSTRUCTIONS



(Fig.1)



Ver.2 '11.9.1009/DIGK

1. Directions

Connect Cord (13) to the handle and the transformer. Set the output voltage of the transformer to under 4V. Turn the switch on the transformer to light up the bulb (7). For the battery and rechargeable battery models, turn the ring at the top of the handle to switch on the bulb.

2. Changing the streak width

When the position of the condensing lens control switch is
 at the top the converging light will illuminate
 on the line the parallel light will illuminate
 at the bottom the diverging light will illuminate

3. Rotation of streak

Streak rotates 360 degrees without stops. To rotate the streak, turn the streak rotating ring.

4. Head Rest

Pull out the cover of the head rest mount (1) and set the head rest (14) in place. Putting one's forehead to the head rest will prevent one's spectacles from getting scratched.

5. Presbyopic lens

To use the +2D presbyopic lens, detach the eyepiece rim (3), and set the lens into the eyepiece aperture.

6. Positioning the head

Because the head moves freely it can be set to a position convenient to the condensing lens control switch.

Changing the bulb

Use spare bulb L-27 for the rechargeable and transformer models. For the battery-operated model use L-28. Unscrew the upper fixing ring (6) and the bulb fixing ring (8), and separate them. The bulb will appear. To remove the bulb, unscrew it while holding the streak rotating ring stationarily.

■ Plug-in Rechargeable Battery Handle RP INSTRUCTIONS

- Two kinds of chargers are available, 120 volts or 220 volts. Make sure that voltage indicated on the charger fits the voltage of your receptacle. When charging battery, press and move button ① of charger ③ so that plug ② comes out. (Fig.1)

Turn off switch and insert plug ② into receptacle. (Fig.1)

Be sure to turn off switch when charging. Charge will be completed in about 15 hours. After charge is completed, take plug out from receptacle and press and move button to pull back plug (Fig.1)

Leaving plug of charger in receptacle after completing charge may shorten the life of battery.

- Fully charged battery will last for about 40 minutes in continuous operation when L-27 is used. After discharging completely, be sure to turn off switch.
- Voltage of battery is 3.6 volts. Use following bulbs.

Instrument	Bulb
Halogen Ophthalmoscope BX α , BX	L-29
Streak Retinoscope RX, NR	L-27
Spot Retinoscope	L-32
Otoscope, Laryngoscope	L-33

- Life of battery is 300 to 1000 cycles of discharge depending upon the condition of charging, discharging etc. If it becomes unable to charge battery, exchange battery after unscrewing and removing charger ③. When placing order for new battery, please specify "Neitz Rechargeable Battery RP-B".
- Do not throw used battery into fire.

NEITZ

NEITZ INSTRUMENTS CO., LTD.

36-13, Wakamatsu-cho, Shinjuku-ku, Tokyo, 162-0056, Japan

Phone: (03)3204-2068 Telefax: (03)3204-2069

e-mail: int@neitz.co.jp http://www.neitz-ophthalmic.com